

Magnetic Heavy-Duty Mounts for VenDome Antenna

Ventev's heavy-duty outdoor rated fleet-top mount magnet eliminates need for a permanent mount. Made with industrial-grade Ferrite and powder-coated mount plates provide excellent weatherability along with UV and rust resistance. It offers a 18.6 Lbf/leg of side-pull strength and 35 Lbf/leg of lift-off. The included antenna mount plate allows quick antenna mounting through hole. Can be easily removable without damaging the surface.

Features & Benefits

- Ideal for vehicular rooftop applications where a permanent mount is not desirable
- Made with industrial-grade Ferrite and powder-coated mount plates providing excellent weatherability along with UV and rust resistance
- Pull strength of 18.6 Lbf/leg side-pull; 35 Lbf/leg lift-off
- Included antenna mount plate allows quick antenna mounting through hole
- Removable without damaging the surface

3-Leg Magnetic Mount



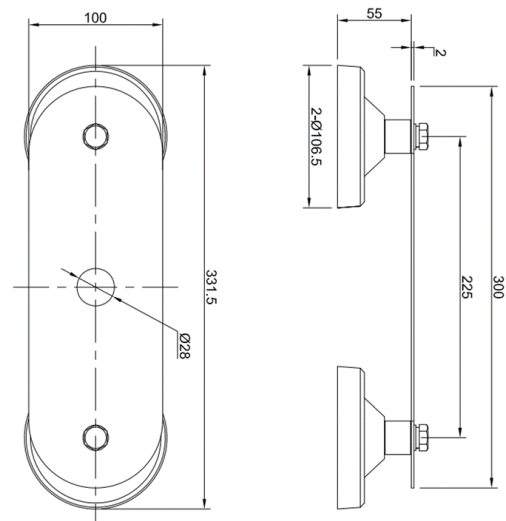
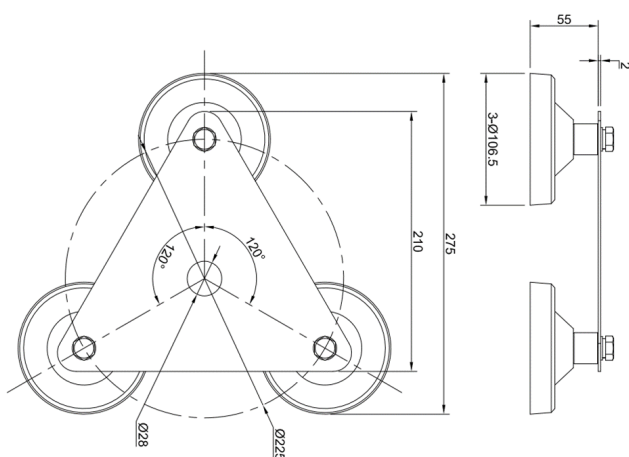
2-Leg Magnetic Mount



Description	SKU	MFG Part #
-------------	-----	------------

3-Leg Magnetic	600881	VEN-MGMT-3LEG
----------------	--------	---------------

2-Leg Magnetic	600876	VEN-MGMT-2LEG
----------------	--------	---------------



Every Ventev bracket is RoHS compliant and covered by company's 2-year warranty program.