

VenFlex™ Mount

With T-Bar Clip & Swivel Mount Options

ventev®

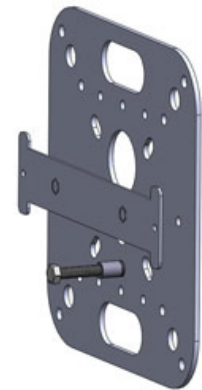
Connect, Protect, and Enable™

Ventev's VenFlex™ Mount enables the mounting of either an access point or an antenna in a variety of ways, including flat wall/ceiling mount, outlet box mounting (single and double gang, 4 in. junction box), hanging conduit, and hanging all-thread. For more specialized use cases, accessories such as articulating mounts can be attached to the VenFlex™ Mount.

Ventev's VenFlex™ Mount is patent pending.

Available Models

Description	MFG Part #	SKU
VenFlex Mount	VNV-VENFLEX	603857
VenFlex Mount + T-bar Clip	VNV-VENFLEX-T	604170
VenFlex Mount + T-bar Clip + Swivel Mount	VNV-VENFLEX-A-T	604171
VenFlex + Swivel Mount	VNV-VENFLEX-A	604172



Features & Benefits

- Simplifies installation when integrating access points into different environments.
- Includes conduit and all-thread mounting options currently unavailable from most access point manufacturers.
- Offers additional mounting capabilities for Cisco, Aruba, Mist, and most T-bar mounted access points.
- Universal mounting option for T-bar mountable access points.
- Can mount to angled surfaces (wall corners/vaulted ceiling) while allowing articulation of the access point, enabling better RF coverage.

All product specifications are subject to change without notice or obligation.

VenFlex™ Mount

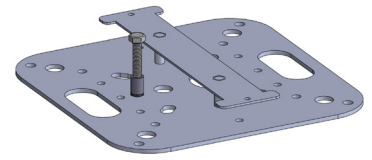
With T-Bar Clip & Swivel Mount Options

ventev®

Connect, Protect, and Enable™

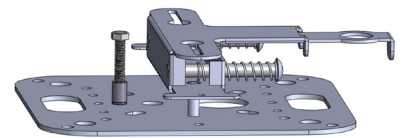
VenFlex™ Mount

SKU	603857
Manufacturer Part Number	VNV-VENFLEX
Dimensions	6 x 6 x 0.72 in.
Weight	0.85 lb.
Material	Powder coated steel 0.75 in. Conduit 0.375 in. All-thread
Mounting Options	Surface mount (wall/ceiling) single-gang, double-gang, and 4 x 4 in. junction box



VenFlex™ Mount + T-bar Clip

SKU	604170
Manufacturer Part Number	VNV-VENFLEX-T
Dimensions	Mount: 6 x 6 x 0.72 in. T-Bar Clip: 5.25 x 3.90 x 0.82 in.
Weight	1.05 lbs.
Material	Mount: Powder coated steel T-Bar Clip: Aluminum 0.75 in. Conduit 0.375 in. All-thread
Mounting Options	Surface mount (wall/ceiling) single-gang, double-gang, and 4 x 4 in. junction box



All product specifications are subject to change without notice or obligation.

VenFlex™ Mount

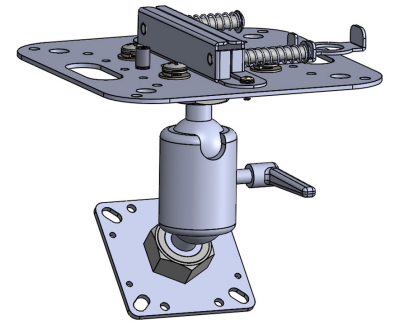
With T-Bar Clip & Swivel Mount Options

ventev®

Connect, Protect, and Enable™

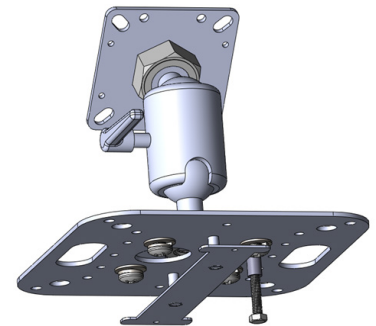
VenFlex™ Mount + T-bar Clip+ Swivel Mount

SKU	604171
Manufacturer Part Number	VNV-VENFLEX-A-T
Dimensions	Mount: 6 x 6 x 0.72 in. T-Bar Clip: 5.25 x 3.90 x 0.82 in. Swivel Mount: 7 x 4 x 2.625 in.
Weight	3.15 lbs.
Material	Mount: Powder coated steel T-Bar Clip: Aluminum Swivel Mount: Powder coated steel
Mounting Options	Wall/Ceiling



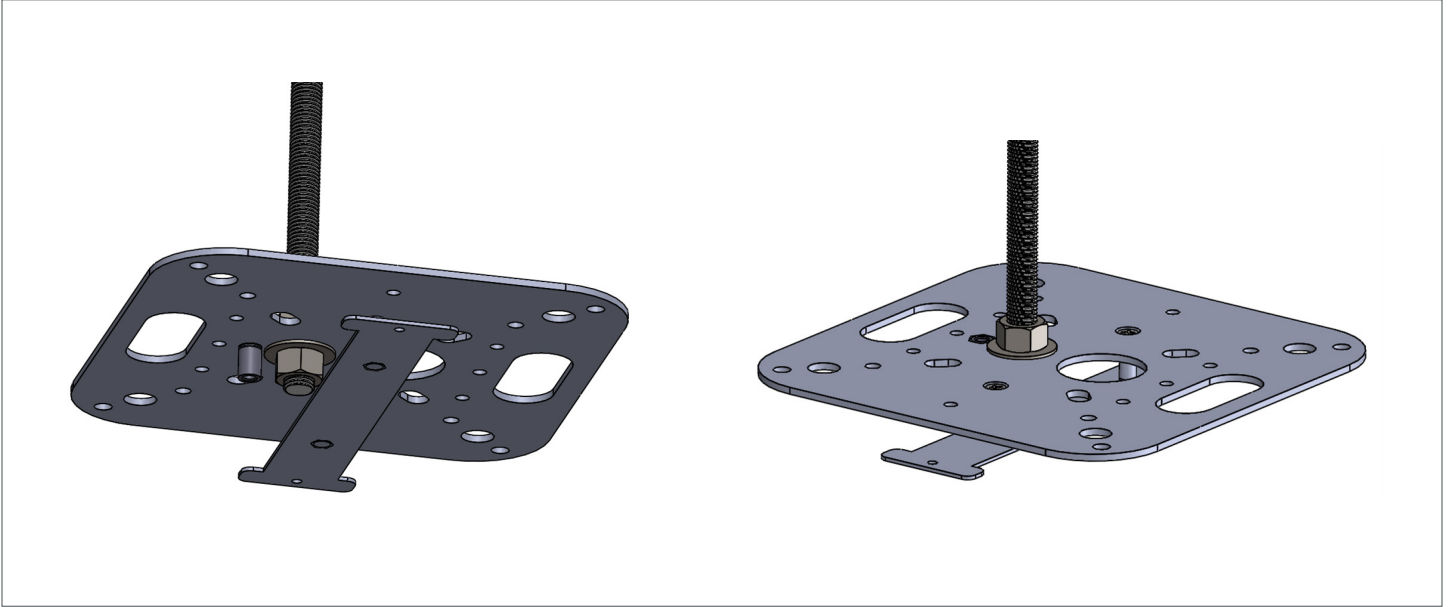
VenFlex™ Mount + Swivel Mount

SKU	604172
Manufacturer Part Number	VNV-VENFLEX-A
Dimensions	Mount: 6 x 6 x 0.72 in. Swivel Mount: 7 x 4 x 2.625 in.
Weight	2.98 lbs.
Material	Mount: Powder coated steel Swivel Mount: Powder coated steel
Mounting Options	Surface mount (wall/ceiling) single-gang, double-gang, and 4 x 4 in. junction box

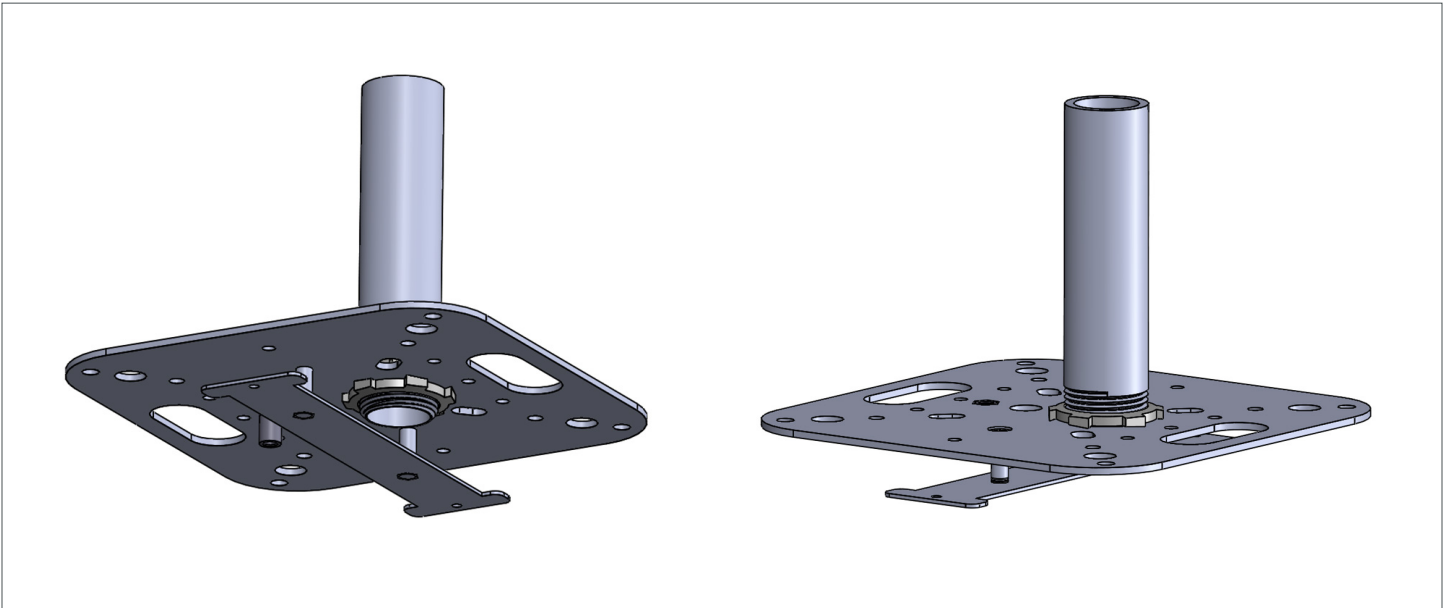


All product specifications are subject to change without notice or obligation.

Single Hanging All-Thread



Hanging ¾ in. Trade Size Conduit



All product specifications are subject to change without notice or obligation.

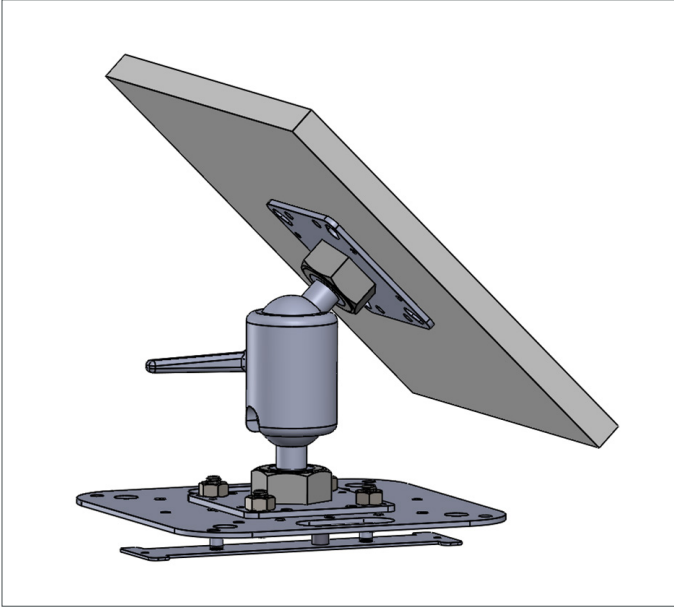
VenFlex™ Mount

With T-Bar Clip & Swivel Mount Options

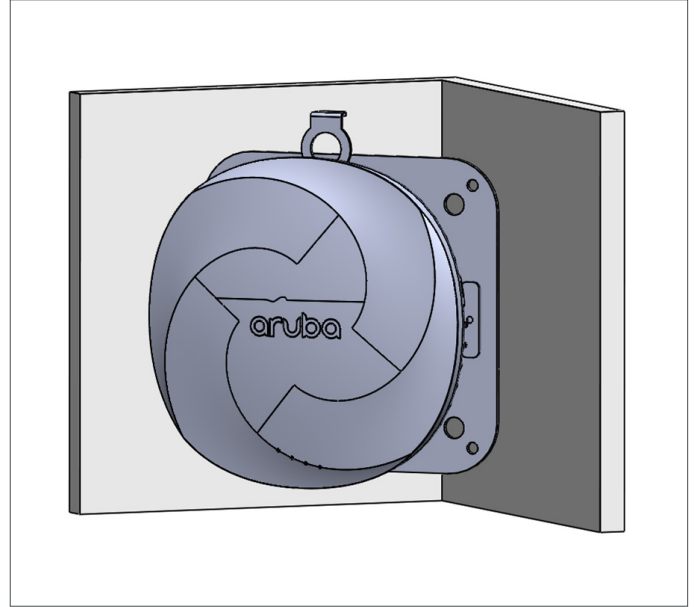
ventev®

Connect, Protect, and Enable™

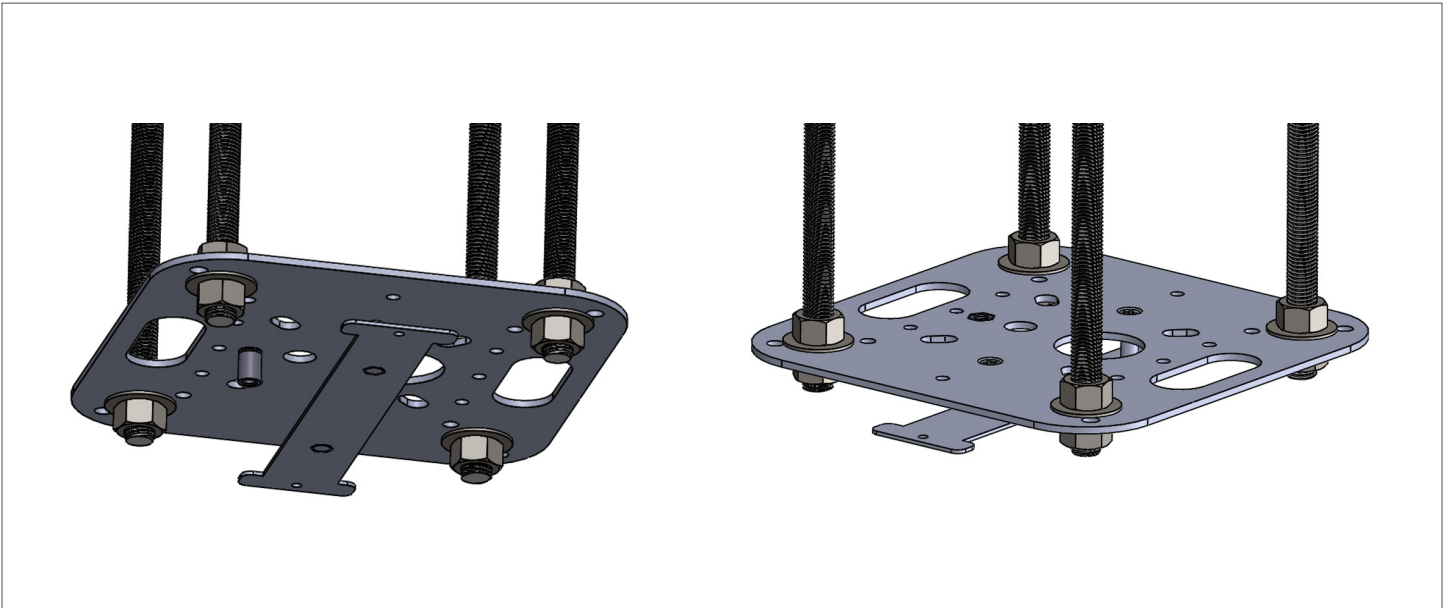
Articulating AP Sloped Ceiling



Articulating AP Corner Walls



4 Hanging All-Thread



All product specifications are subject to change without notice or obligation.