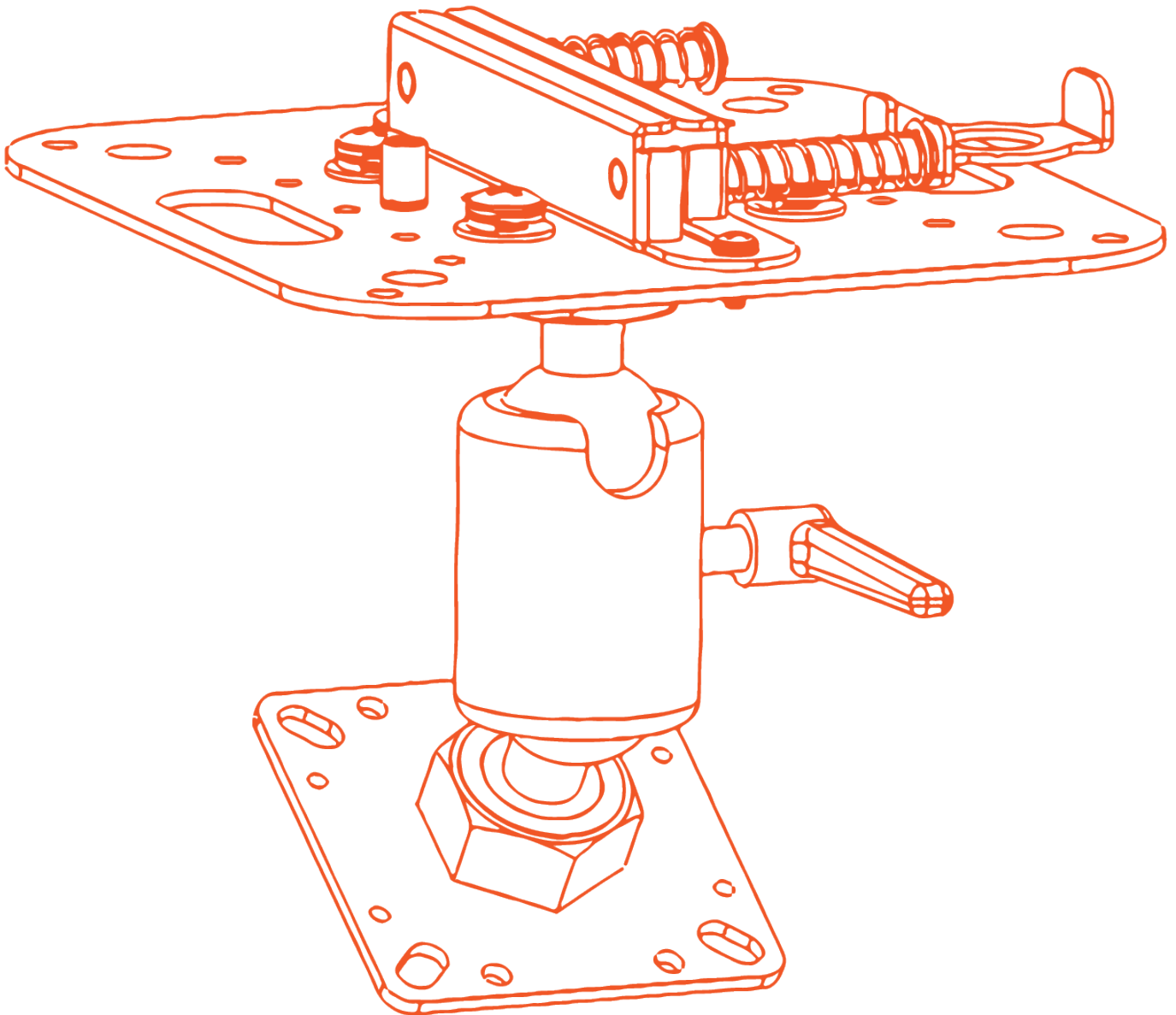


## Installation & Mounting Manual

# VenFlex™ Mount



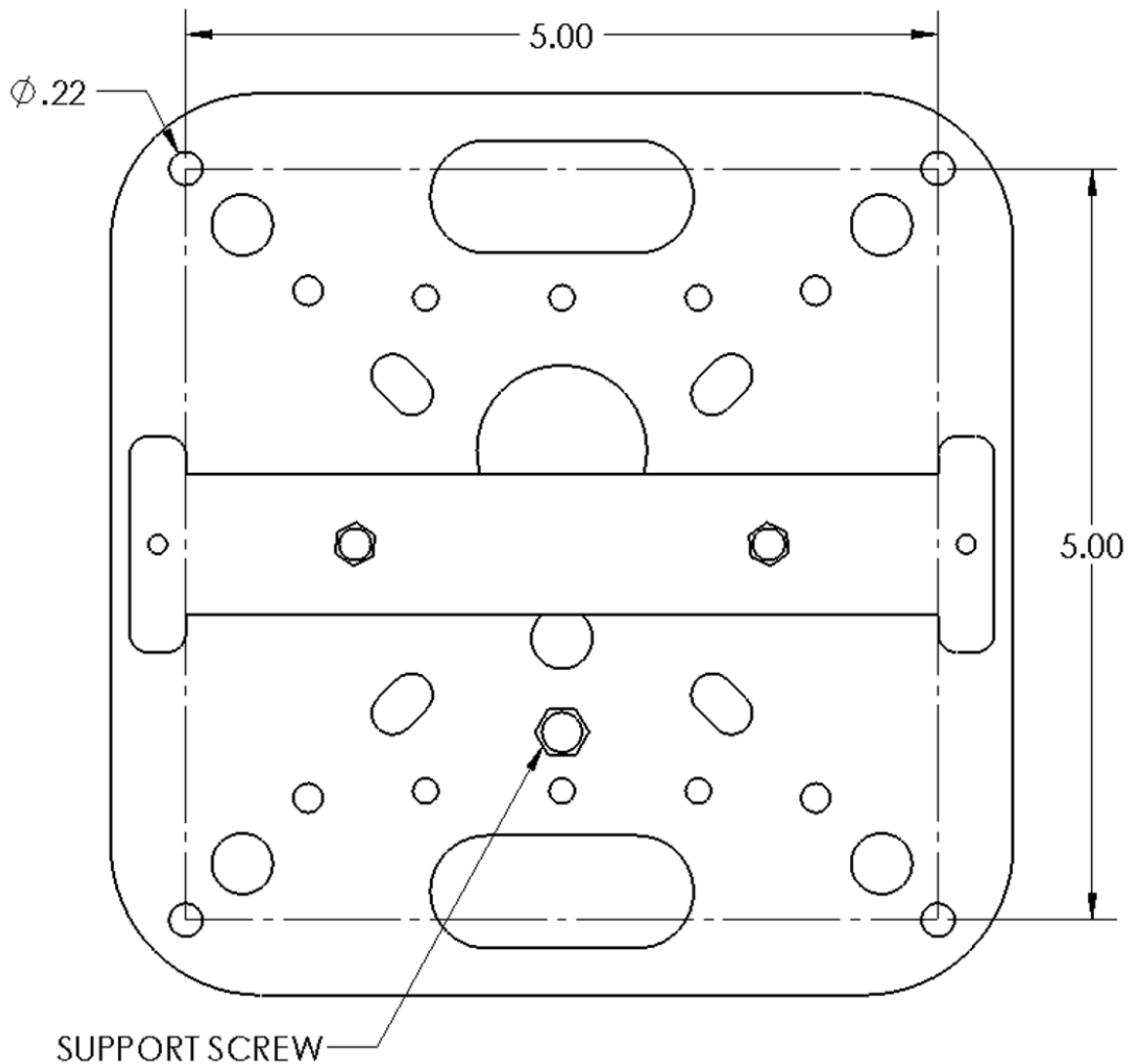
# Ventev VenFlex™ Instructions

The Ventev VenFlex mount enables the mounting of either an access point or an antenna in a variety of ways, including flat wall/ceiling mount, outlet box mounting (single and double gang; 4 in. junction box), hanging conduit, and hanging all-thread. For more specialized use cases, accessories, such as articulating mounts, can be attached to the VenFlex mount.

Refer to the section below for the desired mounting configuration. After installing your VenFlex mount, refer to the specific access point's documentation for mounting the access point to a 15/16 in. T-Bar.

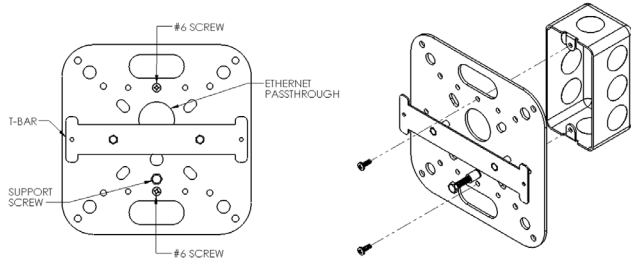
## 1. Surface Mounting (Flat Wall/Hard-Lid Ceiling Mounting)

Holes are in the corners of the VenFlex mount for basic mounting to a flat wall or ceiling. The holes are sized for #10 screws. Select the appropriate fasteners suited for the type of wall/ceiling material.

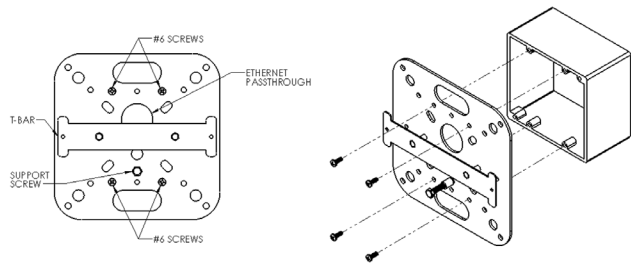


## 2. Outlet Box Mounting

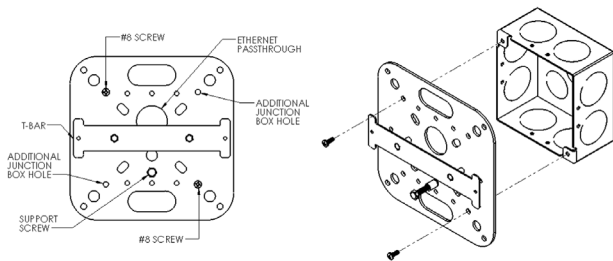
Install the mount using the specified hole patterns and faceplate screws (not included). Route the ethernet cord through the ethernet passthrough hole.



Single Gang Outlets



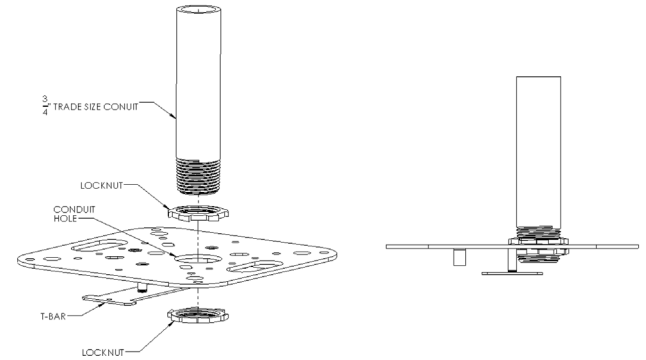
Double Gang Outlet Box



4" Junction Box

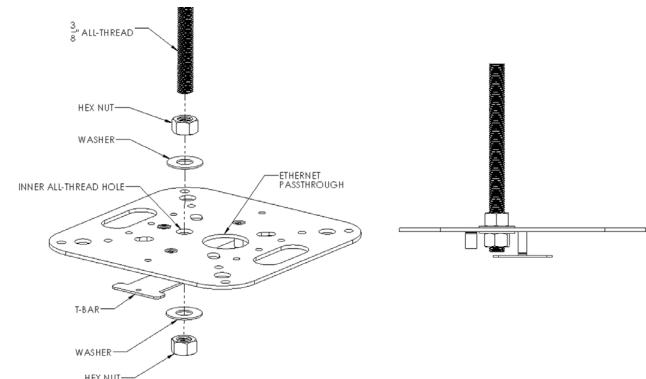
## 3. Hanging Conduit Mounting

With the 3/4 in. Trade Size conduit inserted in the conduit hole, fasten two (2) locknuts (not included) on the top and bottom of the mount to secure. Route the ethernet cable through the conduit.

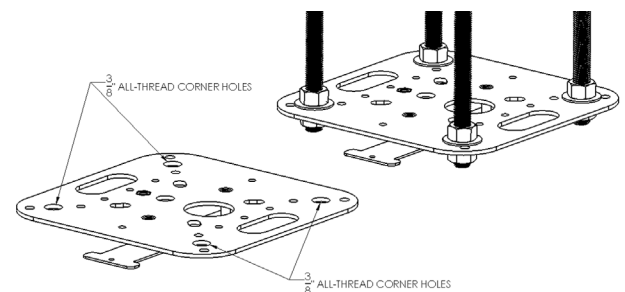


## 4. Hanging All-Thread Mounting

The VenFlex mount contains five (5) holes for mounting from 3/8 in. all-thread rod. Hang the mount with a single all-thread rod using the inner all-thread hole and up to four (4) all-thread rods using the corner holes. All-thread is secured by fastening a hex nut on the top and bottom of the mount.



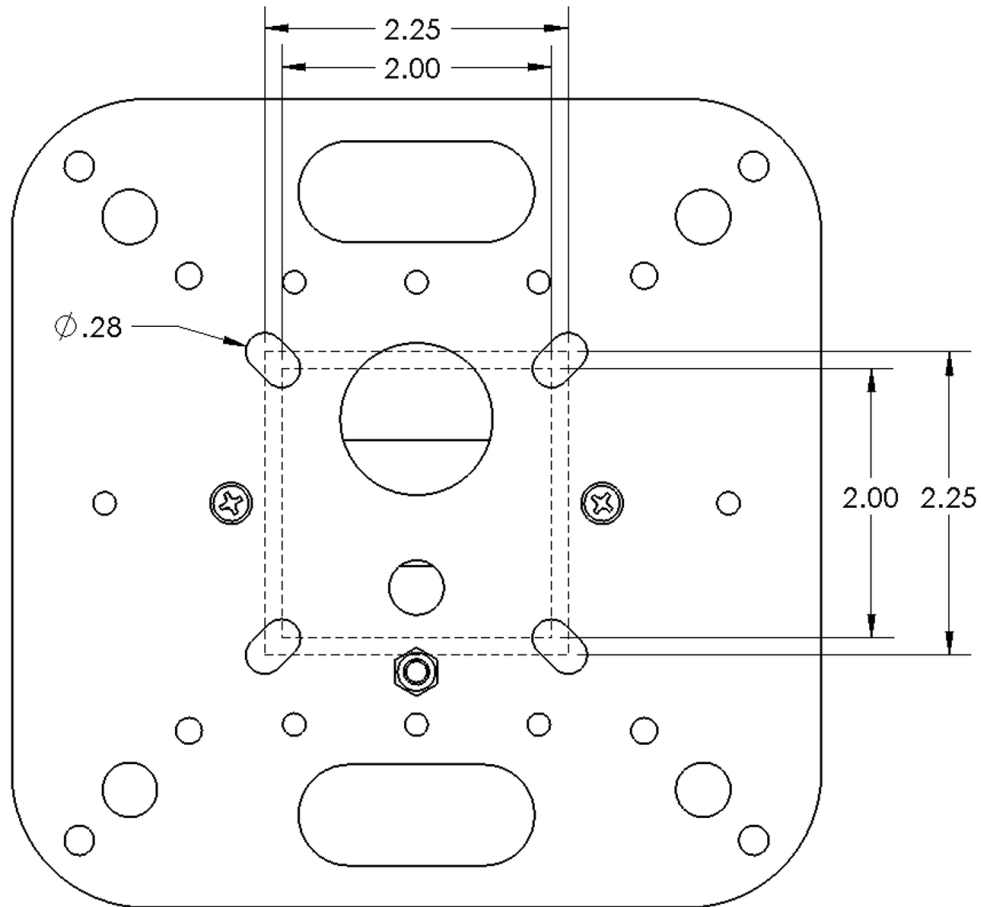
Single All-Thread



Four (4) All-Thread

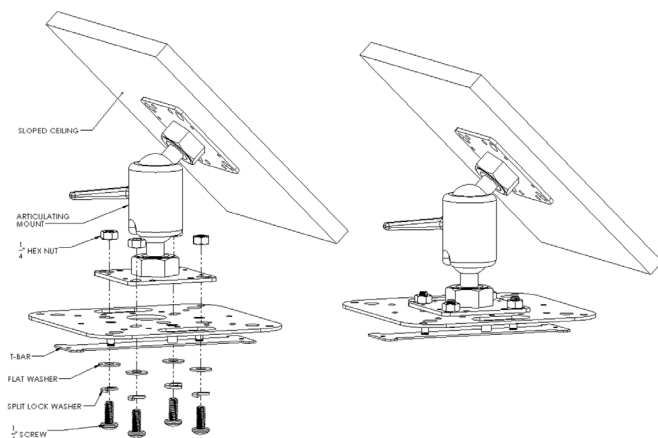
## 5. Attaching an Articulating Mount to the VenFlex Mount

Articulating mounts can be attached to the VenFlex mount to articulate the access point in some scenarios and to all the mounting of an articulated antenna. Ventev's Universal Articulating Mount with Large Joiner (SKU 266277) is shown in the figures relating to articulating mounts. Any articulating mounts with a 2 x 2 in. square pattern up to a 2.25 x 2.25 in. square pattern can be substituted (SKU 266277, 511425, 384807, 387391, 377750). See below and the next page for specific configurations.



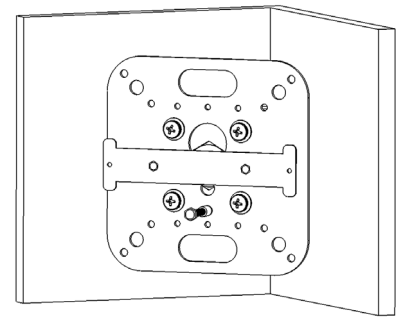
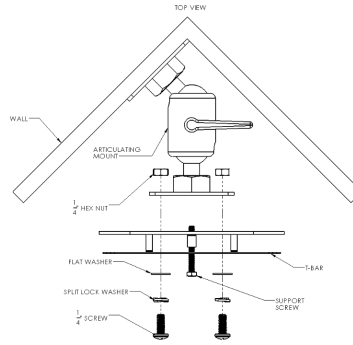
### *Mount to a Sloping Ceiling*

Attach the articulating mount to the ceiling with hardware suited for the ceiling material. Attach the VenFlex Mount to the other end of the articulating mount using the specified hardware shown in the figure on the right.



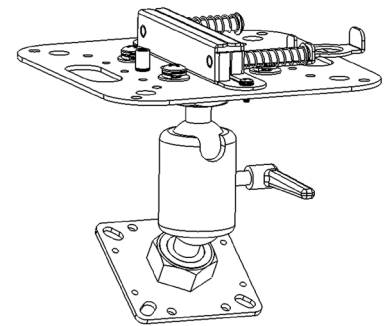
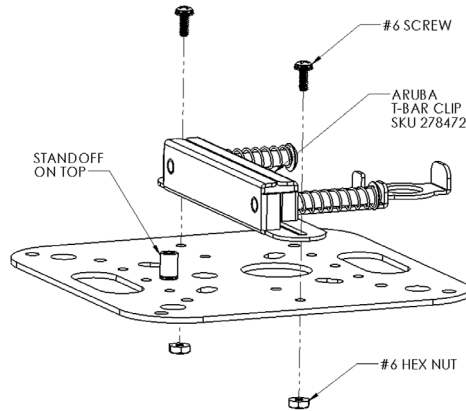
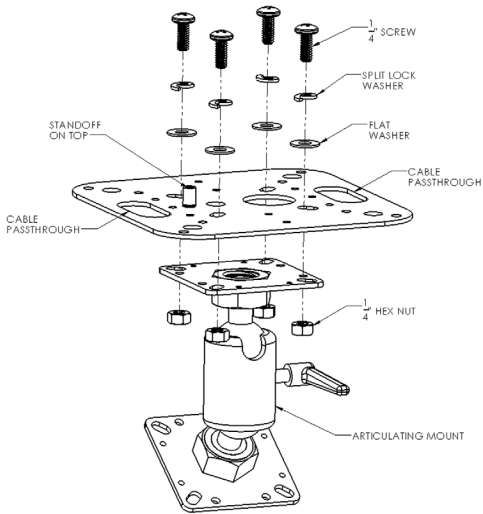
## Mount to Corner Wall

Attach the articulating mount to the wall with hardware suited for the ceiling material. Attach the VenFlex mount to the other end of the articulating mount using the specified hardware shown in the figure on the right.

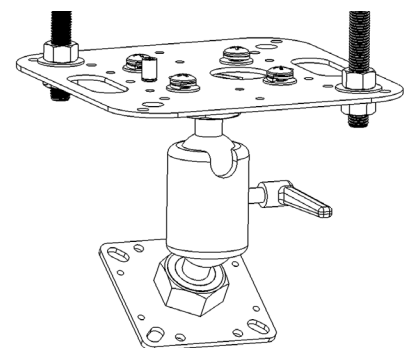
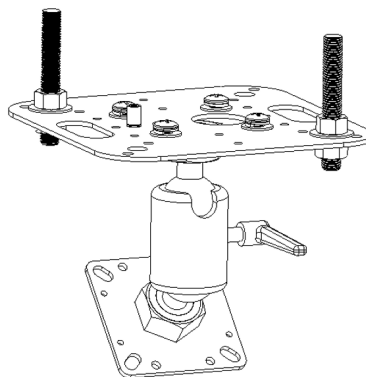
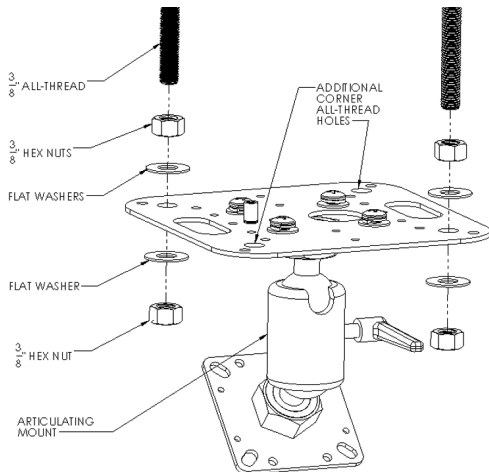


## Installing VenFlex Mount with Antenna on T-Bar Drop Ceiling

The VenFlex mount with an articulating antenna can attach to the T-bar in a standard drop ceiling grid by attaching the Ventev Aruba T-Bar Clip (SKU 278472).

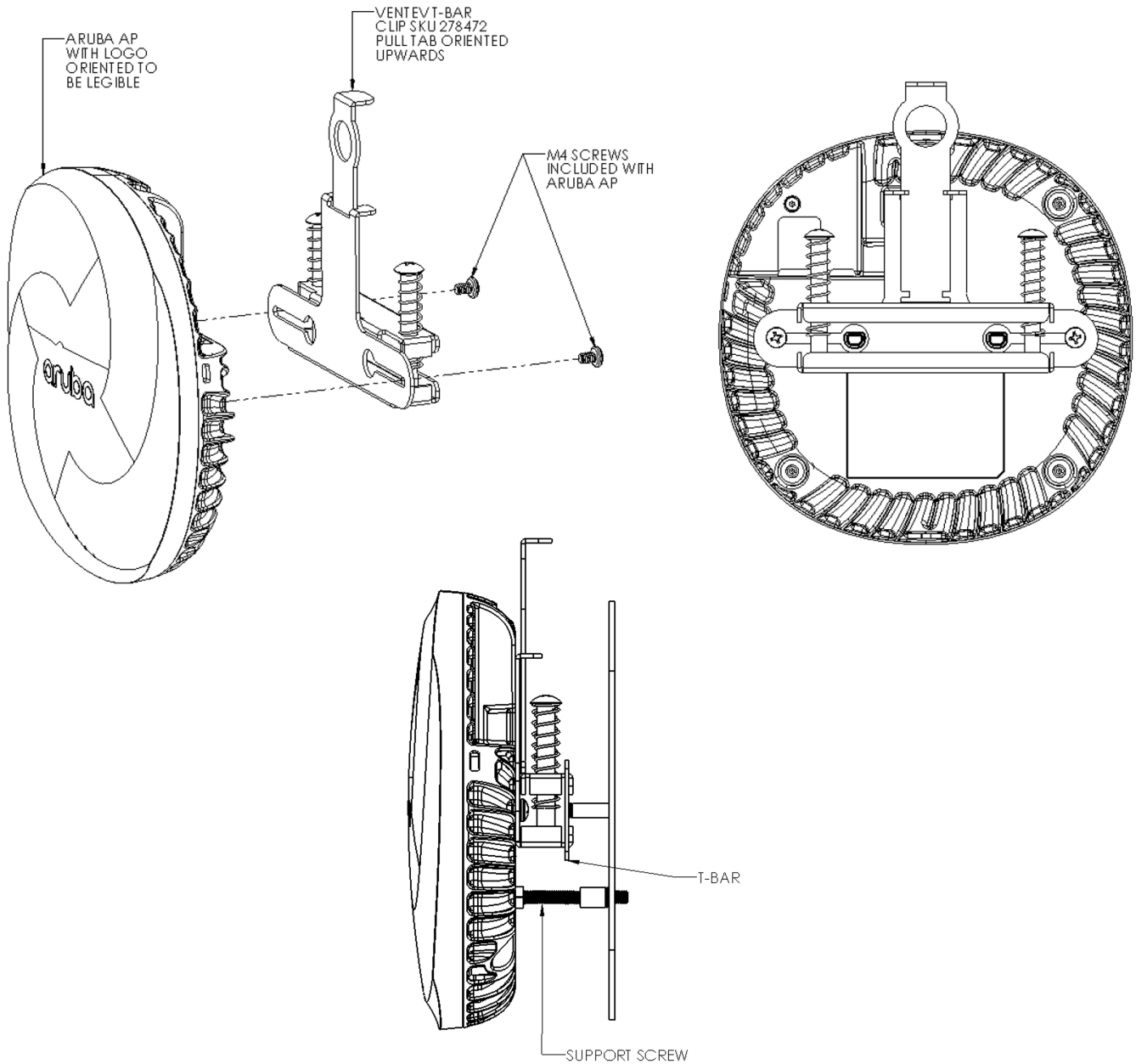


## Installing Articulating Mount with Antenna Mounting on Hanging All-Thread



## 6. Attaching Aruba Access Points to the T-Bar with the Ventev Aruba T-Bar Bracket

The Ventev Aruba T-Bar Bracket (SKU 278472) is used to attach Aruba access points to the T-bar of the VenFlex mount. As shown below, the two (2) M4 screws included with the access point are used to attach the bracket to the access point. Orient the access point so that the logo is legible, and orient the pull tab of the T-bar bracket so it is facing upwards. Pull the pull tab of the T-bar bracket and install the access point onto the T-bar of the VenFlex mount. The support screw on the VenFlex mount can be adjusted by hand or using a wrench to make the access point parallel to the wall. If the support screw extends beyond the back of the VenFlex mount, drill a hole in the wall or ceiling to allow it to pass through. Before drilling, the hole can be marked by removing the support screw from the threaded standoff and inserting a center punch through the standoff. Alternatively, the excess screw length may also be trimmed off.



## 7. Attaching All Other Access Point Models to the T-Bar

Refer to the specific access point's documentation for mounting the access point to a 15/16 in. T-Bar. The support screw on the VenFlex mount can be adjusted by hand or using a wrench to make the access point parallel to the wall. If the support screw extends beyond the back of the VenFlex mount, drill a hole in the wall or ceiling to allow it to pass through. Before drilling, the hole can be marked by removing the support screw from the threaded standoff and inserting a center punch through the standoff. Alternatively, the excess screw length may also be trimmed off. See figure on previous page.



11126 McCormick Road,  
Hunt Valley, MD 21031  
800-851-4965  
sales@ventev.com

[ventevinfra.com](http://ventevinfra.com)

