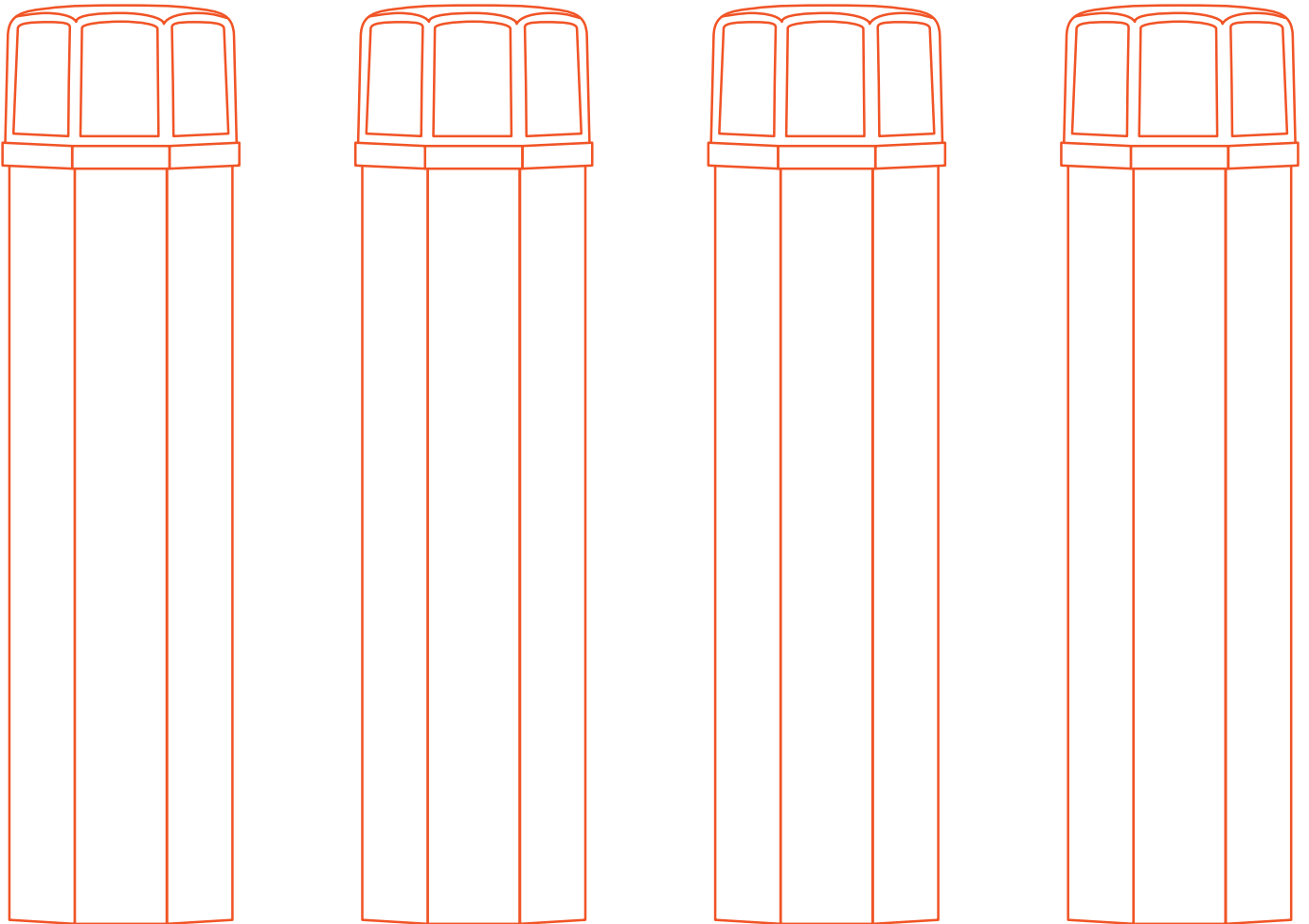


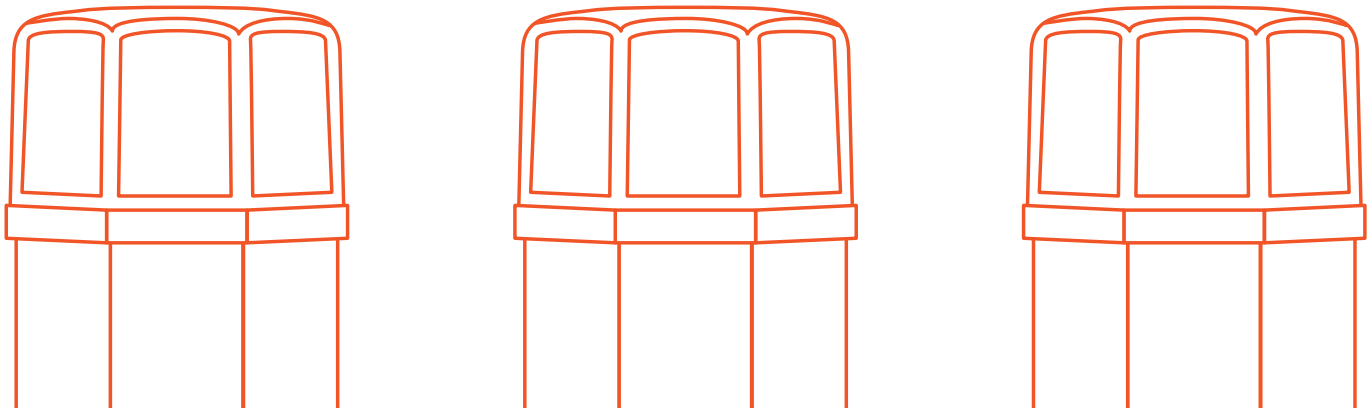
Installation Manual

# Outdoor Wireless Bollard Enclosure with Octagonal Cap



# Contents

- 1: Attaching Bollard Frame to Foundation .....3**
- 2: Access Point Install .....4**
  - Aruba Access Point..... 4
  - Meraki Access Point..... 5
  - Cisco Access Point..... 6
  - External Access Point with Omni-Directional Antenna ..... 6
- 3: Bollard Cover .....7**



# 1: Attaching Bollard Frame to Foundation

Remove and discard the two shipping bolts attached to the bollard cover and frame. Slide the bollard cover off to access the internal frame.

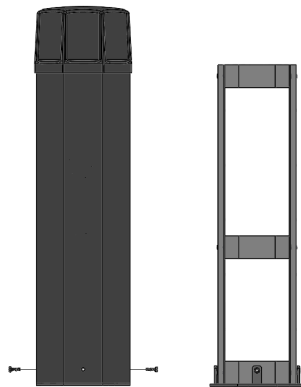


FIGURE 1

It is recommended to attach the bollard's frame to a prepared concrete foundation (not supplied) using four  $\frac{3}{8}$  in. studs (or some other type of fastener) securely placed approximately  $3\frac{3}{4}$  in. apart in a square pattern in the foundation.

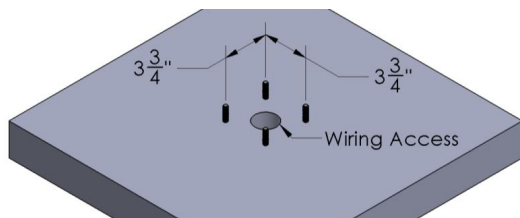


FIGURE 2

Place the metal base of the frame over the bolts and fasten with hex nuts and route the cabling through the 3 inch hole in the metal base.

Proceed by referring to the section dedicated to the access point to be installed.

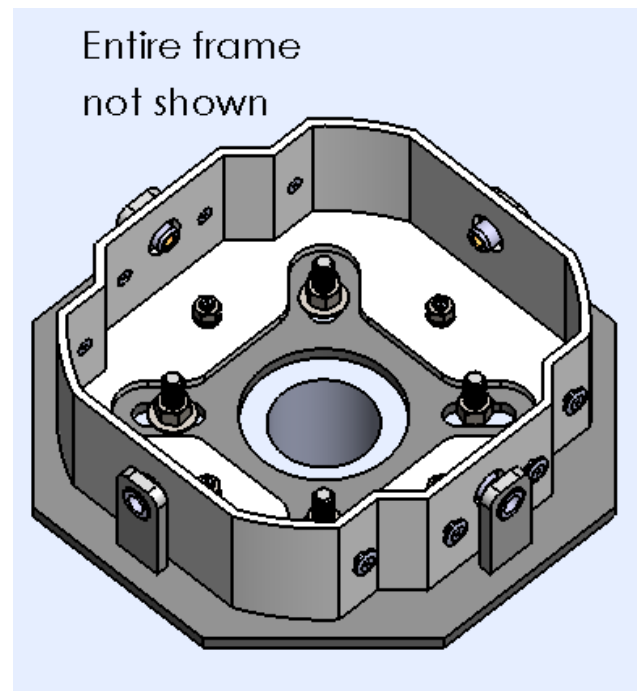


FIGURE 3

## 2: Access Point Install

### Aruba Access Point

Holding the Aruba T-bar clip against the T-bar of the bracket, as shown in Figure 4, push lightly into the T-bar in order to depress the plastic tabs. Twist into place.

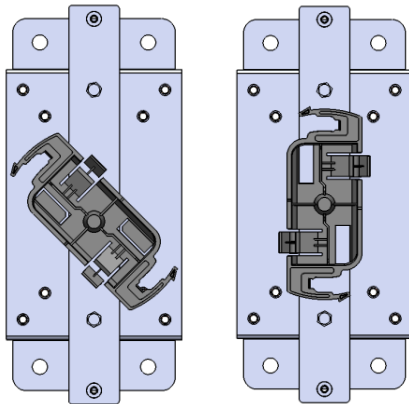


FIGURE 4

Now install the Aruba access point by placing it against the Aruba T-bar clip and twisting it into place. If the access point is sliding down the T-bar, move the T-bar clip and access point downward until it contacts the lower positive stop, as shown in Figure 5.

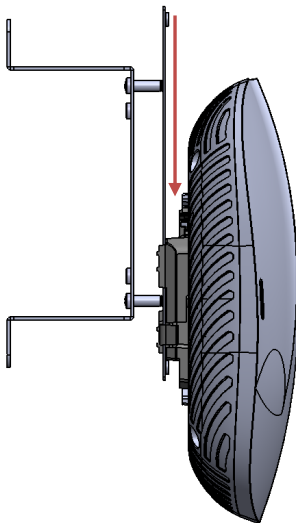


FIGURE 5

Install bracket on the interior of the frame using the supplied ¼ in. screws and hex nuts, with the head of the screw on the exterior of the frame. Insert ethernet and power cables.

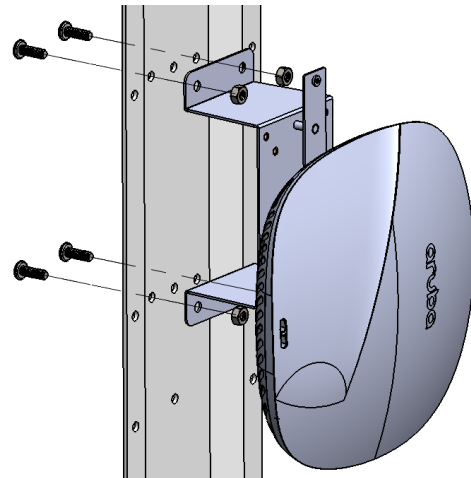


FIGURE 6

# Meraki Access Point

Place the Meraki provided T-clips onto the T-bar and twist into place. Using the screw holes on the Meraki supplied mounting plate, space the brackets to the proper length. Tighten the set screws. Additionally, cable ties can be wrapped around the T-bar and the clips for additional security.

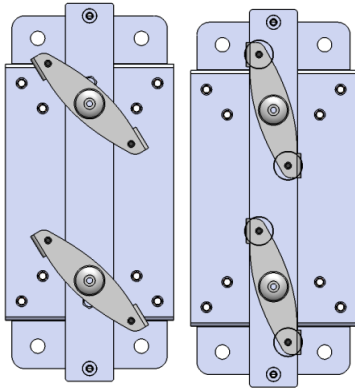


FIGURE 7

Attach the Meraki supplied mounting plate to the T-bar clips using the (2) screws provided in the access point hardware kit.

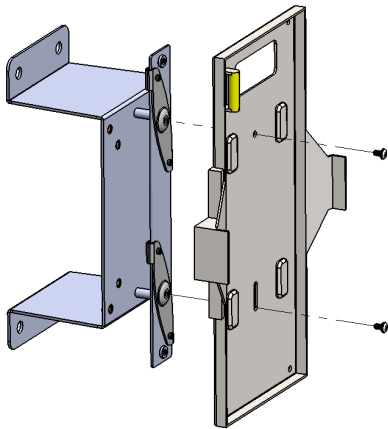


FIGURE 8

Install bracket on the interior of the frame using the supplied ¼ in. screws and hex nuts, with the head of the screw on the exterior of the frame.

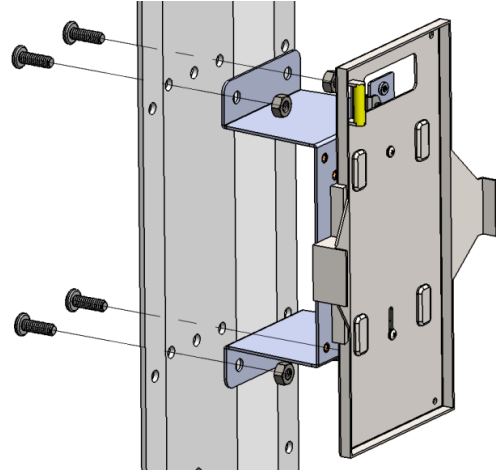


FIGURE 9

Attach the Meraki access point onto the mounting bracket and insert ethernet and power cables.

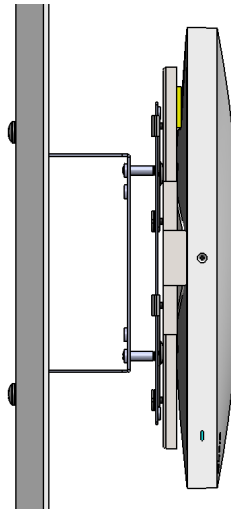


FIGURE 10

## Cisco Access Point

Attach a Cisco supplied universal bracket to the bracket, using (4) #8-32 x 0.375 in. screws.

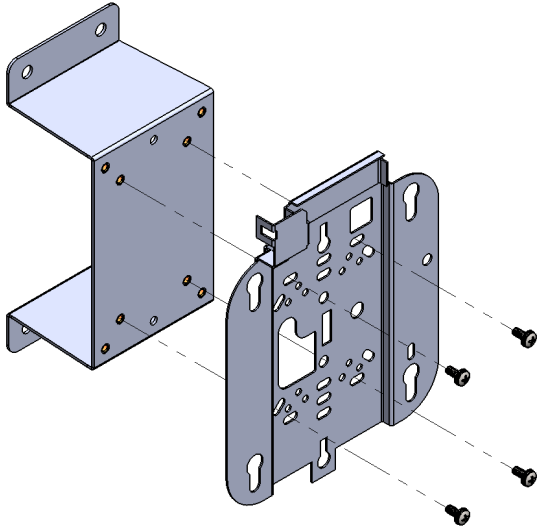


FIGURE 11

Install bracket on the interior of the frame using the supplied ¼ in. screws and hex nuts, with the head of the screw on the exterior of the frame.

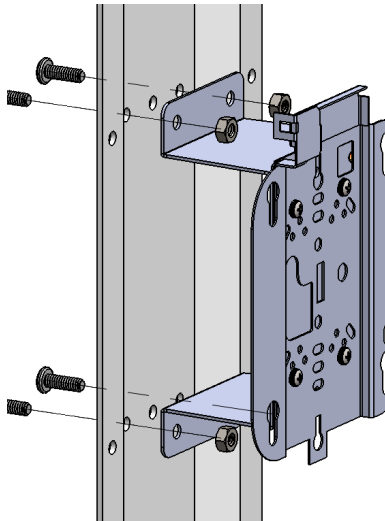


FIGURE 12

Install the Cisco access point by sliding the feet on the back of the unit into the keyholes on the Cisco universal bracket. Insert ethernet and power cables.

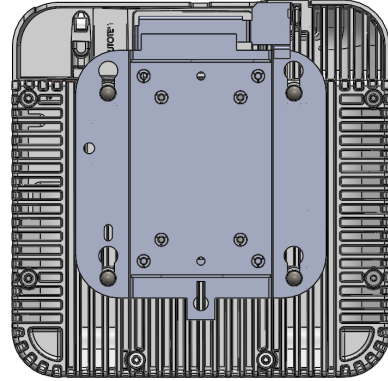


FIGURE 13

## External Access Point with Omni-Directional Antenna

If using an external access point with an omni-directional antenna, route the antenna wires through the top cutouts of the frame and secure the antenna with hardware. Connect the antenna to the access point. If desired, utilize the provided cable ties for cable management.

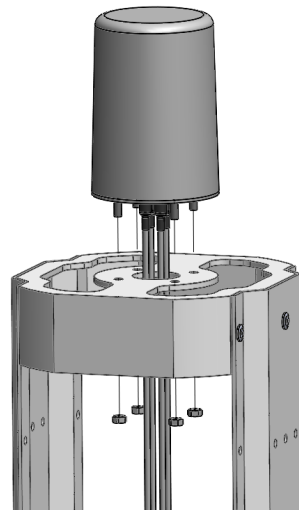


FIGURE 14

## 3: Bollard Cover

Slide the bollard cover over the frame, taking care to not damage any parts of the frame, access point, and antenna, keeping the four holes in the bollard cover aligned with the four holes on the bottom.

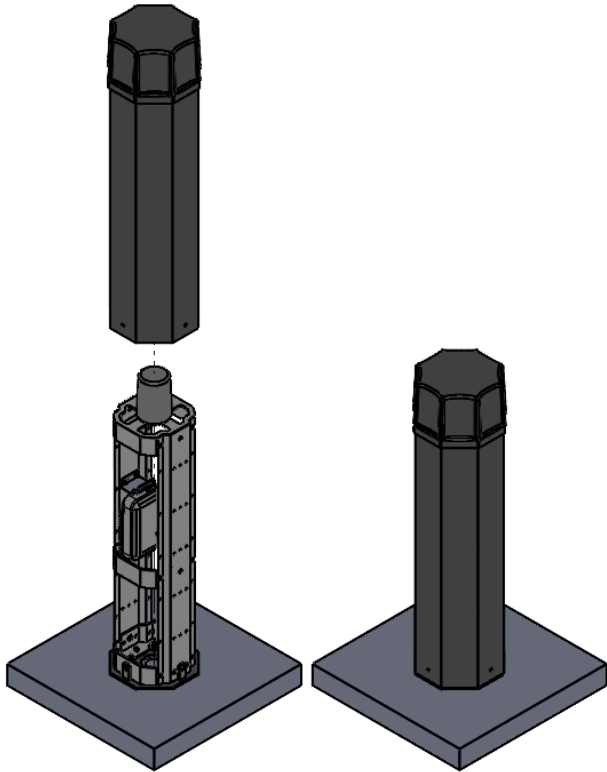


FIGURE 15

Align the holes on the bollard cover and the metal base and install the QTY (4) supplied security screws using the included spanner bit.

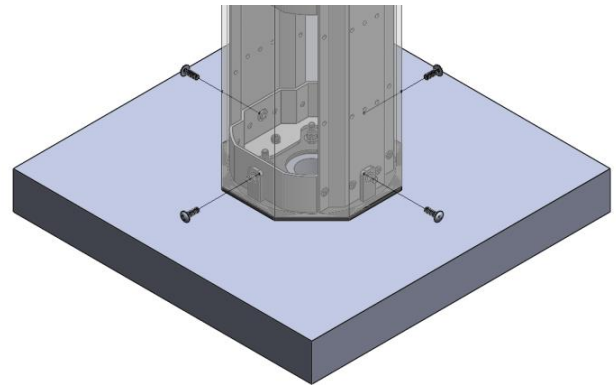


FIGURE 16



11126 McCormick Road,  
Hunt Valley, MD 21031  
800-851-4965  
sales@ventev.com

[ventevinfra.com](http://ventevinfra.com)

