

RF Surge Arrestor

Installation and Grounding Instructions

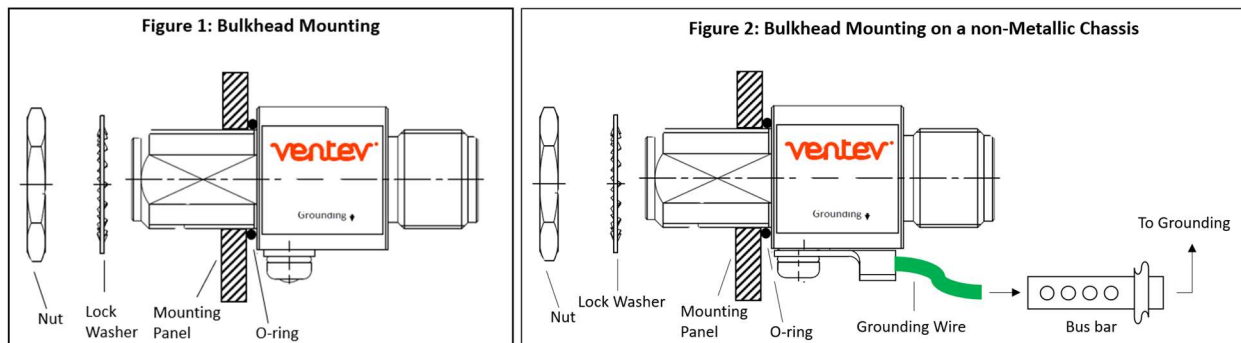
For TW-LP and V-LP line of Surge Arrestors

⚠ Warning: Do not attempt the installation or replacement while a storm is occurring or approaching. Do not handle or maintain surge protectors with RF power on the transmission line. Disconnect or switch off in-line equipment before installing.

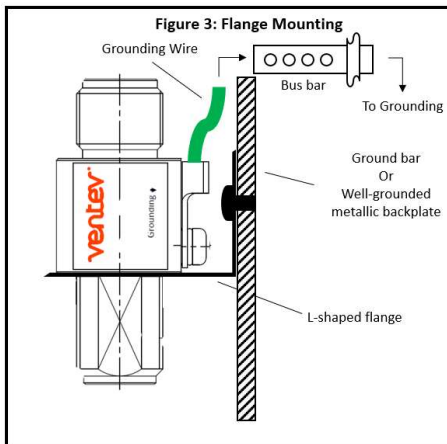
⚠ Notice: These instructions are meant for qualified and experienced personnel for installing Ventev RF surge arrestor. Follow the instructions thoroughly prior to starting installation. Any liability resulting from improper or unsafe installation practices is disclaimed. Please follow local electric code and environmental regulations for assembly and waste disposal. Always make sure to use appropriate personal protection.

Installation: Ventev's Lightning Arrestor is a bi-directional gas discharge tube suppressor that features wide-band operation. It comes with permanently installed gas capsule and is designed to protect in-line equipment, systems and components from overvoltage transients induced by lightning strikes, power line faults and switching, and static discharge.

Bulkhead Mounting to enclosure or router chassis: Ventev recommends mounting surge arrestor on a well-conducting grounded metal wall or enclosure or router chassis (Figure 1). Ensure that the conductive metal surface is clear of any powder coating or paint as well as clean and free of dust, moisture, and other residues. When bulkhead mounting on a non-metallic enclosure or chassis with poor conducting ground, it is recommended that short grounding wire (refer to the datasheet for wiring gage) is used. The grounding wire shall not be longer than 2ft with both ends should be prepared with appropriate wire lugs. The bus bar (Ventev part # TW-LP-ENC-9PORT) should be used when multiple surge arrestors and other grounding wire from other equipment present (Figure 2).



Flange Mounting to grounding bar or to the grounded metallic backplate inside enclosure: Ventev surge arrestor comes with L-shaped flange bracket for flange mounting directly to a grounding bar or to the metallic backplate inside the enclosure (Figure 3).



General Remarks and Recommendations:

- Ensure all contacts are clean, dry and smooth before installation. It is critical for surge protection and ingress protection.
- Use weatherproof mating connectors and appropriate moisture sealing or weatherproofing tape.
- The path of grounding current shall be the shortest possible.
- Follow local electrical, grounding, building and lightning protection codes and practices.
- Follow RF power handling practices appropriate to the application.
- All hardware and connector joints must be properly torqued.

Ventev's lightning arrestors are RoHS compliant. They have been evaluated for compliance with the Reduction of Hazardous Substances, RoHS 3 Directive 2015/863/EU and have been determined to not contain substances more than RoHS 3 Maximum Concentration Levels.

For additional support please contact your local sales representative or email at sales@ventev.com.