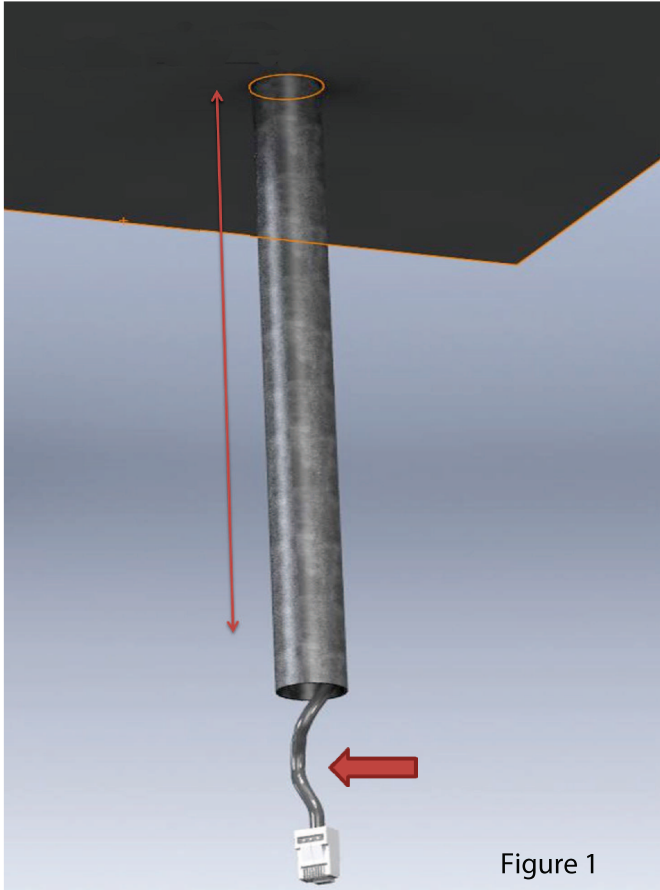


Assembly Instructions Hanging Conduit Wi-Fi AP Mount

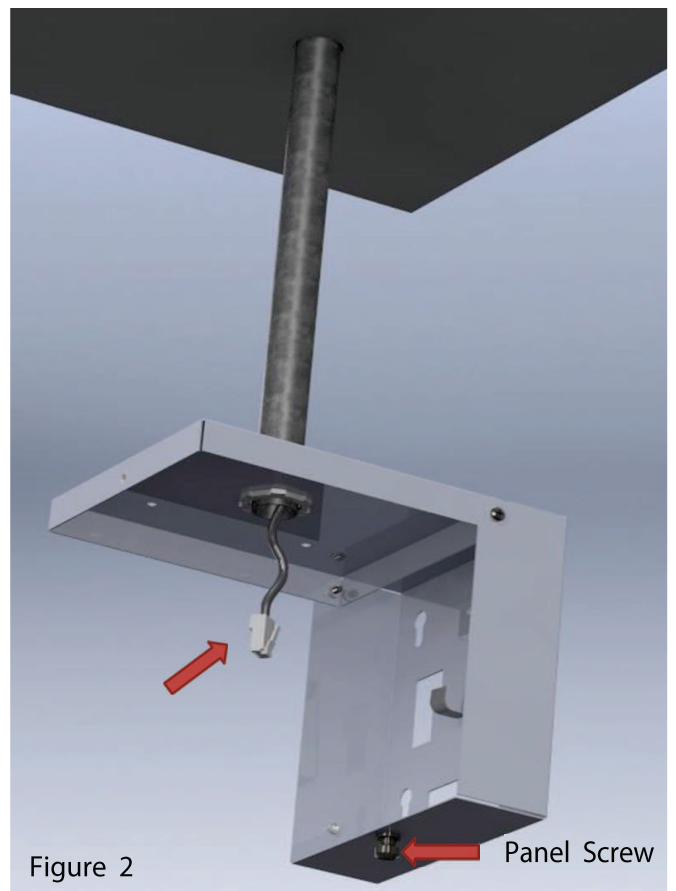


Step 1 - Determine the height of the AP and install 3/4" conduit (not supplied) to the ceiling as shown in Figure 1.

Step 2 - Run the Ethernet cable (not supplied) thru the center of the conduit so it hangs out past the end as shown in Figure 1.

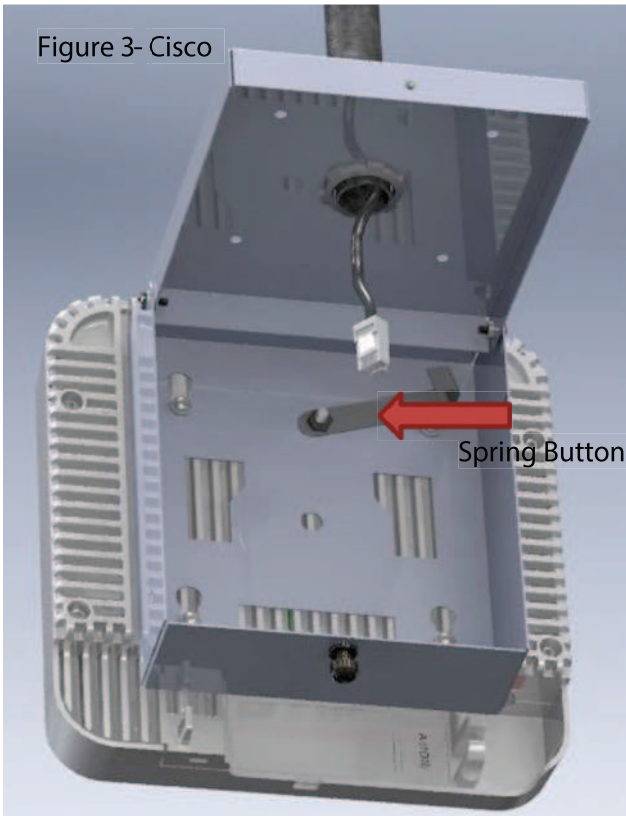
Step 3 - Attach the hanging conduit mount to the conduit with a conduit nut (not supplied). Shown in Figure 2.

Step 4 - The mount is opened by unscrewing the Panel Screw and the lid will hinge open as showing in Figure 2.



Assembly Instructions Hanging Conduit Wi-Fi AP Mount

Figure 3- Cisco



Step 5 - Adjust the locking Spring Button inside the mount

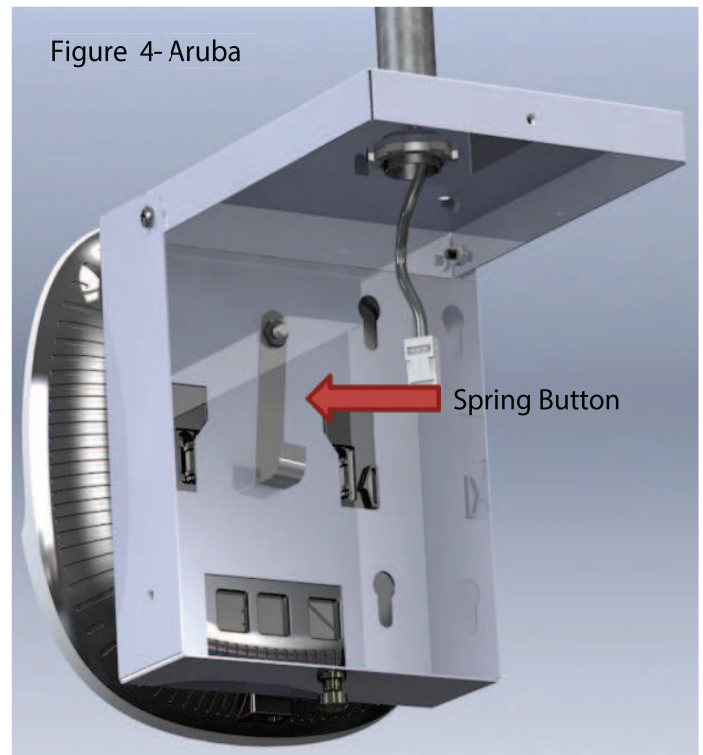
Step 5A - Run the data and power cables into the enclosure and attach to the Cisco AP as shown in Figure 3.

Cisco APs require the Spring Button to be located in the top of the key hole to prevent the installed AP from sliding off.

Step 5B - Slide the two (2) Aruba AP feet onto the mount using the 2 cut outs (Aruba T-bar clip not required) as shown in Figure 4.

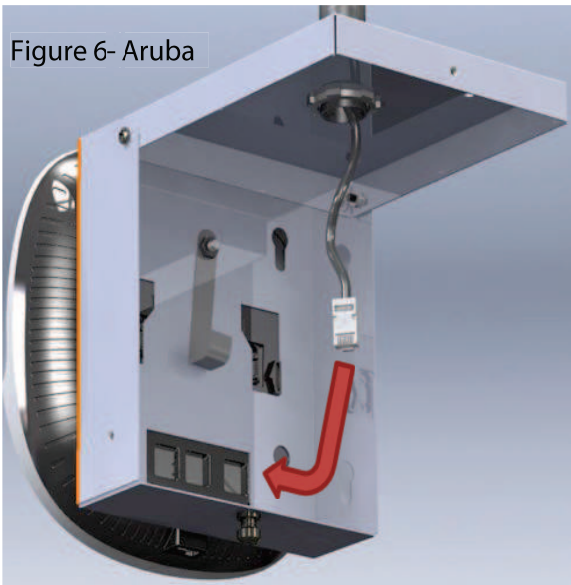
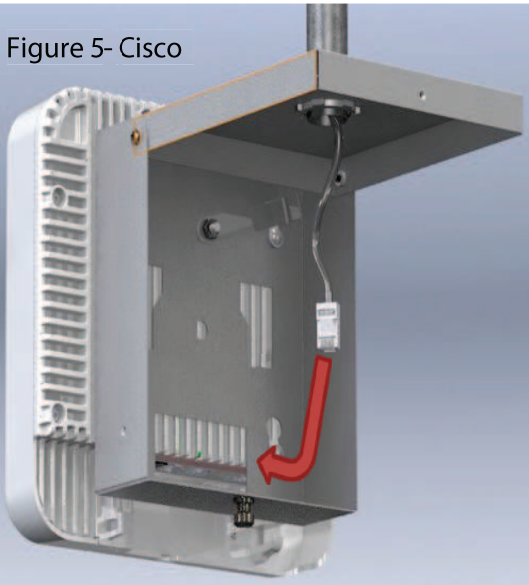
Aruba AP's require the Spring Button to be located in the center hole to prevent the installed AP from sliding off.

Figure 4- Aruba

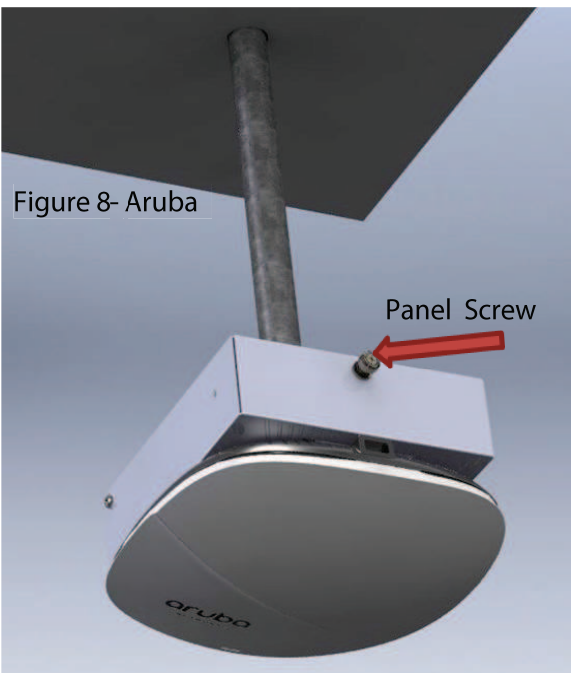
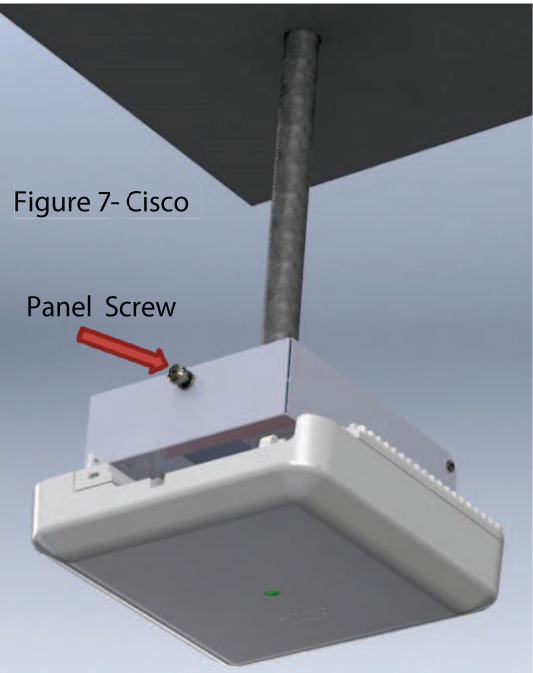


Assembly Instructions Hanging Conduit Wi-Fi AP Mount

Step 6 - Connect to Ethernet cable to AP as shown in Figure 5 and 6.



Step 7 - Swing mount base close and secure with Panel Screw as shown in Figure 7 and 8.



Assembly Instructions

Hanging Conduit Wi-Fi AP Mount

Step 8- When disengaging the Panel Screw, use your hand to support the weight of the AP to prevent the cover from swinging open quickly and potentially causing injury as shown in Figure 9 and Figure 10.

