

Ceiling Tile Enclosure for Aruba Access Points Installation and Removal Instructions

Mounting Instructions

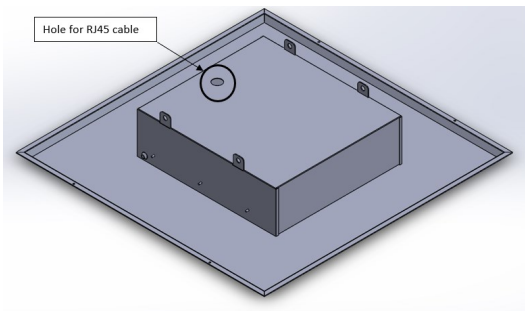


Figure 1

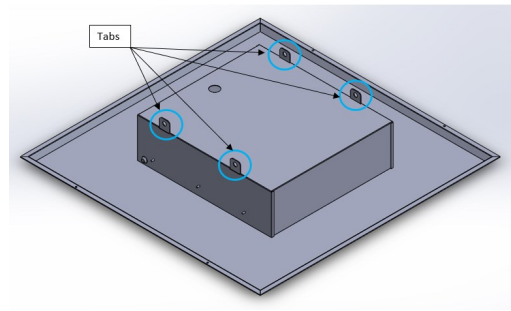


Figure 2

1. Prior to installation, note the provided hole for the RJ45 cable. Refer to Figure 1. A cord grip is supplied to protect and hold the RJ45 cable.
2. Prepare the ceiling tile grid for a 2' x 2' installation. If a 2' x 4' ceiling tile is being replaced then follow below, otherwise go to Step 3
 - Cut current 2' x 4' tile in half
 - Install T-bar provided to create a 2'x2' opening
 - Install the cut standard tile on one side and the enclosure base on the other side.

Caution: Refer to local building codes to determine if additional support is required. Tabs (see Figure 2) are provided on the enclosure to secure to the building structure.

3. Insert RJ45 cable through the cord grip in the knock-out from Step 1 and prepare to use when the door is connected to the enclosure.
4. Place the Access Point onto a surface with the bottom facing upwards. Holding the door above the Access Point, with its USB port facing towards the hinges of the door, lower it onto the Access Point. See Figure 3.

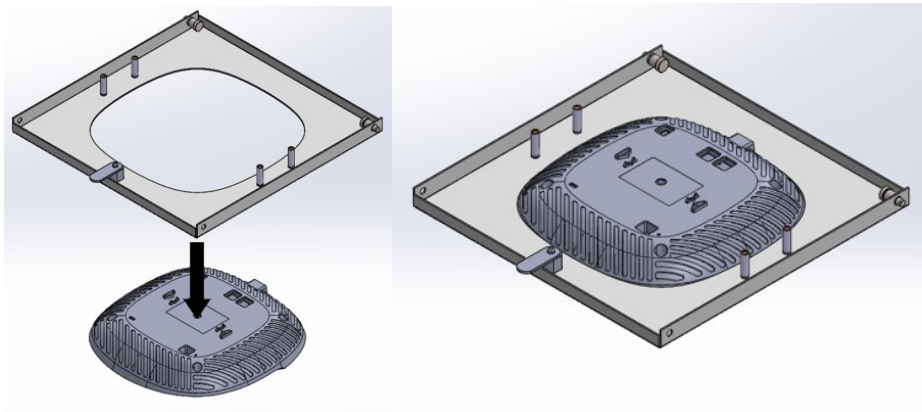


Figure 3

Ceiling Tile Enclosure for Aruba Access Points Installation and Removal Instructions

- Place the Access Point Mounting Plate on the Access Point and push it against the surface of the Access Point, to depress the spring of the locating pin, as shown in Figure 4. Slide the bracket towards the door's lock until the locating pin audibly snaps into place. The access point is now securely mounted to the Access Point Mounting Plate.

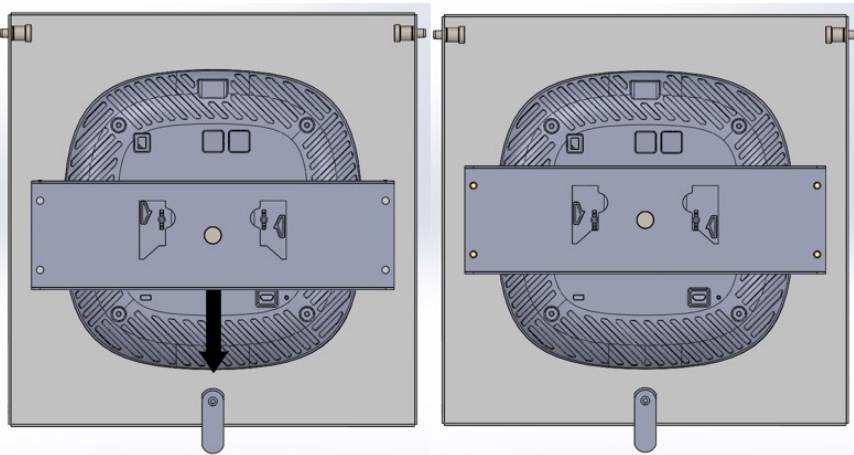


Figure 4

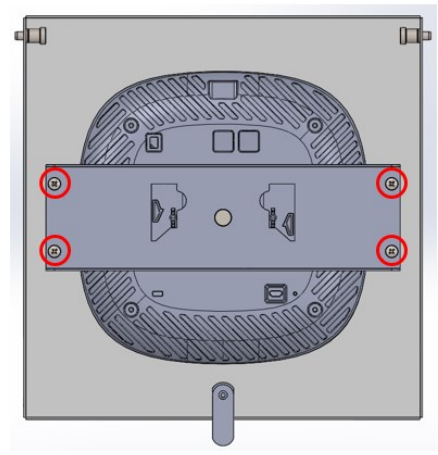


Figure 5

- Insert and fasten 4 screws through the holes of the access point mounting plate and into the threaded studs, shown in Figure 5.

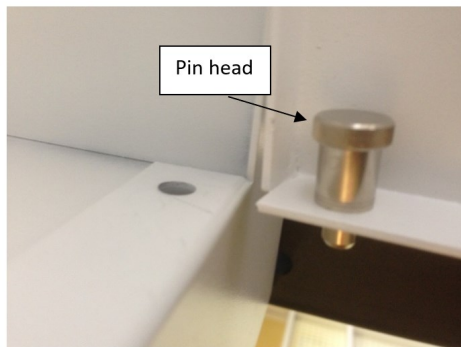


Figure 6

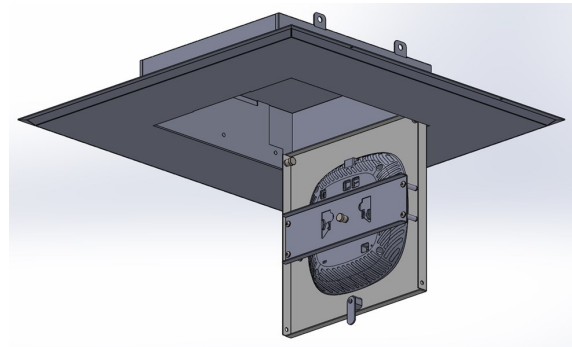


Figure 7

- Pull the pin head to retract and align it with the holes inside the ceiling mount in Figure 6 and release. A snap will be heard when the pin aligns with the hole.
- Snap second pin so door hangs as shown in Figure 7.
- Connect RJ45 cable to the access point.
- Close the door and turn the lock to lock the enclosure door.

Ceiling Tile Enclosure for Aruba Access Points Installation and Removal Instructions

Door Removal and Re-Installation

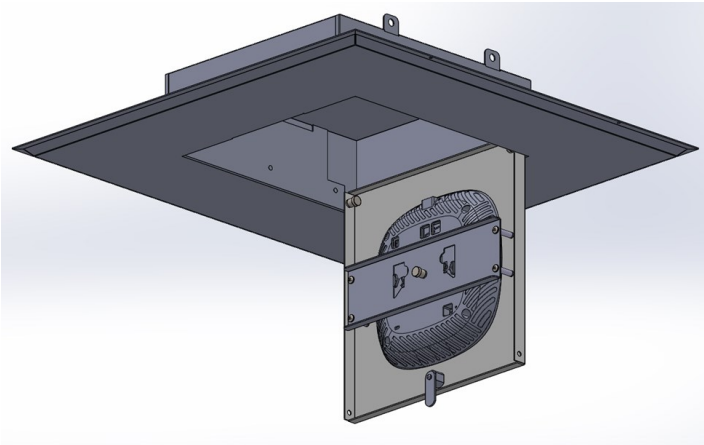


Figure 7

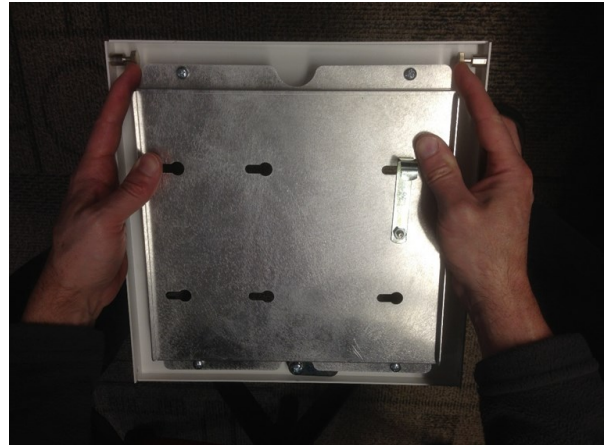


Figure 8

1. Unlock the door and allow the door to open as shown in Figure 7.
2. Pull the head of the two spring pins towards the center of the door to remove the door.
3. To install the door, pull the pin heads to retract the pin and align with the holes in base. Release the pin heads to engage the door.
4. Swing the door shut and lock the door.