

# Ceiling Tile Enclosure Installation for Aruba 515

## Instructions for Installation

- 1) Prior to installation, note the knockout hole provided for the RJ45 cable. Refer to Figure 1. A cord grip is supplied to protect and hold the RJ45 cable.
- 2) Prepare the ceiling tile grid for a 2' x 2' installation. If a 2' x 4' ceiling tile is being replaced, follow steps below, otherwise go to Step 3.
  - a) Cut existing 2' x 4' tile in half
  - b) Install T-bar provided to create a 2'x2' opening
  - c) Install the cut standard tile on one side and the enclosure base on the other side.

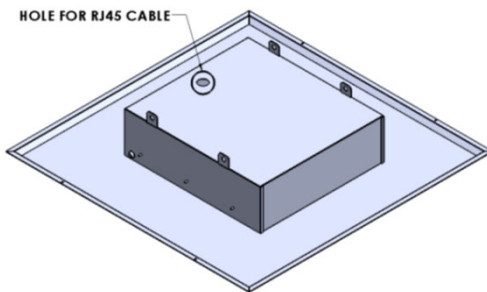


Figure 1.

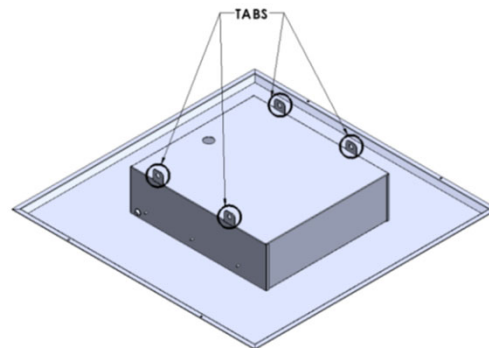


Figure 2.

**CAUTION:** Refer to local building codes to determine if additional support is required. Tabs are provided on the enclosure (see Figure 2) to secure to the building structure.

- 3) Insert RJ45 cable through the cord grip in the knock-out hole. Cable will be connected after the door is installed onto the enclosure.

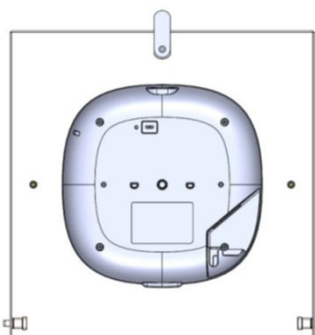


Figure 3.

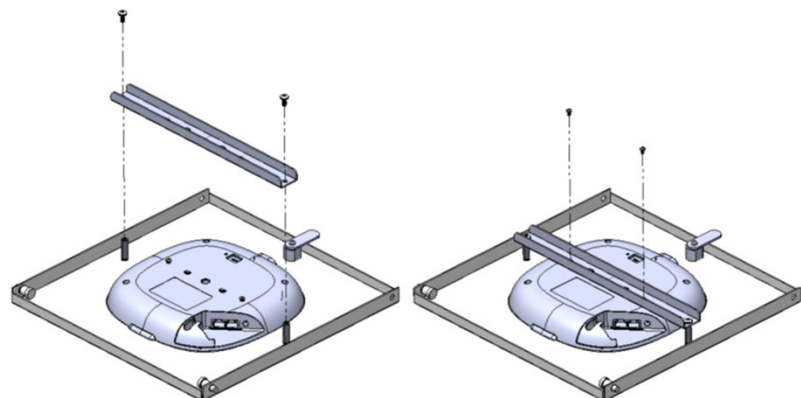


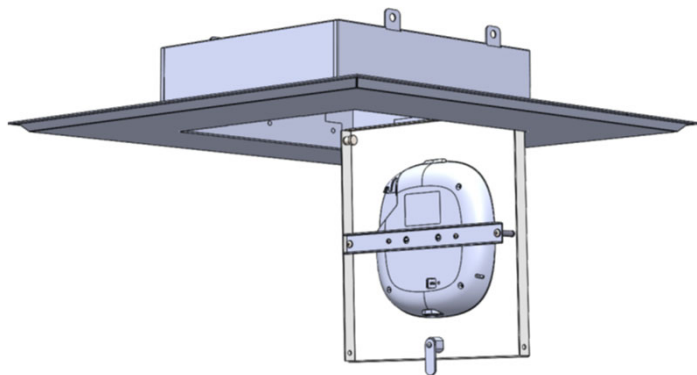
Figure 4.

- 4) Place the Access Point on a surface with the bottom facing upwards. Align the door above the Access Point with the door hinges facing the AP USB port. Place the door on top of the Access Point. See Figure 3.
- 5) Fasten the mounting bracket to the door using QTY 2 screws. Secure the Access Point to the mounting bracket using the QTY 2 screws provided with the Access Point. See Figure 4.

# Ceiling Tile Enclosure Installation for Aruba 515



**Figure 5.**

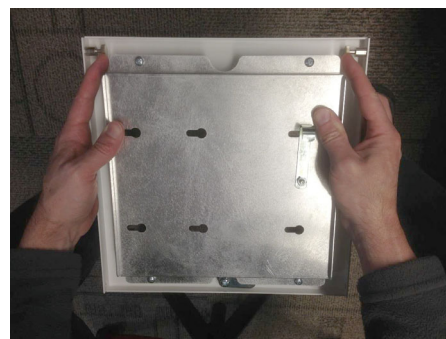


**Figure 6.**

- 6) Pull the pin head to retract and align it with the holes inside the ceiling enclosure and release. See Figure 5. A snap will be heard when the pin aligns with the hole.
- 7) Insert second pin so door hangs as shown in Figure 6.
- 8) Connect RJ45 cable to the access point.
- 9) Close the door and turn the key to lock the enclosure door.

## Door Removal and Reinstallation

- 1) Unlock the door and allow it to hang open as shown in Figure 6.
- 2) Pull the head of the two spring pins to retract the pins, and remove the door. See Figure 7.
- 3) To reinstall the door, pull pin heads to retract the pins and align with the holes in base. Release the pin heads to engage the door.
- 4) Swing the door shut and lock the door.



**Figure 7.**