

High Strength Universal Articulating Mount

TerraWave's High Strength Universal Articulating Mount offers a rugged installation solution for pole or wall mounted antennas and other WLAN accessories that may be installed in challenging environmental conditions. The stainless steel mount and accompanying stainless steel mounting hardware create a strong, reliable mounting platform. The mount articulates horizontally and vertically for extremely flexible mounting positions, and accommodates most types of low profile antennas – regardless of polarization - for both indoor and outdoor applications. *All TerraWave products are covered by the company's two-year TerraNet warranty program. For questions and to purchase the product, contact a Regional Sales Executive at 210-375-8482, 800-851-4965 or sales@terrawave.com.*



Specifications	
Model	TW-ART-MOUNT-IS
Dimensions	3"(L) X 3.25" (W) X 4.75" (H)
Weight	2.5 lbs.
Material	Stainless Steel
Operating Temperature Range	-40°F x +158°F
Mounting Style	Pole or Wall Mount
Mast Diameter	1 3/16" - 1 47/64"
Maximum Load	200 lbs.
Wind Speed Range	≤ 134 mph
Antenna Size	≤ 11.75" x 11.75" x 4.67"

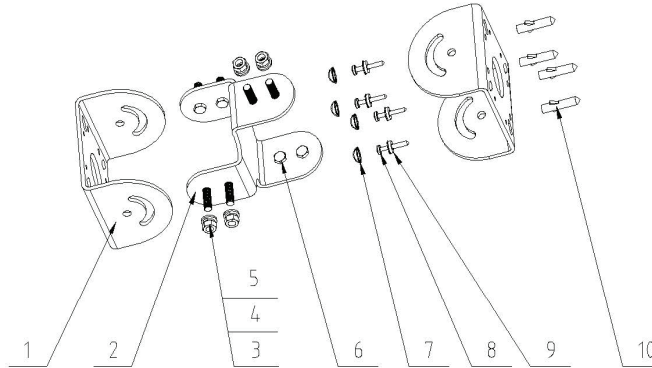
NOTE: Max load is a combination of antenna weight and wind strength

Installation Instructions:

1. Securely fasten one end of the High Strength Universal Articulating Mount to the wall surface.
2. Fully loosen both of the articulating mount arms. There should be no binding or resistance to the arms movement. Note: Do not force movement of the arms if resistance or binding is felt. Forcing movement of the arms could result in breakage.
3. Position the arms in the desired locations.
4. Tighten the arms in sequence, starting with the arm closest to the mount surface.
5. Secure the Antenna to the Universal Articulating Mount once the arms are tightened in the desired positions. Note: Breakage of the High Strength Universal Articulating Mount caused by failure to fully loosen the articulating mount arms voids the TerraNet Warranty.

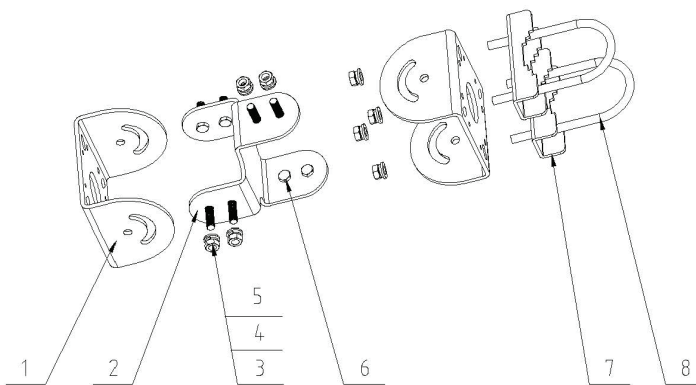
High Strength Universal Articulating Mount

Installation on wall



Part No	Name	QTY	Remark
1	Installation part 1	2	stainless steel
2	Installation part 2	1	stainless steel
3	Outer hexagon bolt	8	M6 stainless steel
4	spring washers	8	Φ6 stainless steel
5	plat washers	8	Φ6 stainless steel
6	Outer hexagon screw	8	M6X20 stainless steel
7	Screw cap	4	
8	Cross recess pan head screw	4	ST4.2x25 stainless steel
9	Screw-socket	4	
10	Rubber sac	4	

Installation on pole



Part No	Name	QTY	Remark
1	Installation part 1	2	stainless steel
2	Installation part 2	1	stainless steel
3	Outer hexagon bolt	8	M6 stainless steel
4	spring washers	8	Φ6 stainless steel
5	plat washers	8	Φ6 stainless steel
6	Outer hexagon screw	8	M6X20 stainless steel
7	Sawtooth clamp code	2	stainless steel
8	U style bolt	2	U style bolt size:56mm*98mm*6mm, Each U style bolt Include: 2 pcs Φ6 plat washers 2 pcs Φ6 spring washers 2 pcs M6 nuts stainless steel